

DataMan Verifiers Feature:

- Fully integrated designs. Lighting, camera, positioning and software all in one package.
- Compliant results. Meet industry 2D code quality standards.
- Ease-of-use. Two model options—handheld or fixed-mount—provides maximum flexibility.



Reliable, Compliant Results

Cognex® DataMan® 2D (Data Matrix) Verifiers provide the reliable and compliant results that manufacturers need to comply with the latest 2D code quality standards, which are mandated by most industries today.

DataMan Verifiers include two different platforms for the ultimate in flexibility—handheld and fixed-mount.

DataMan Handheld Verifiers

As the only compliant handheld verifier available on the market, the DataMan 7500 series verifiers offer superior ease-of-use and are highly cost effective. Using a handheld verifier, manufacturers can perform verification on the factory floor, rather than at a remote or fixed verification station. The combination of compliance and portability provides users with advantages that set the DataMan 7500 series verifiers apart from all others.

- **Integrated Lighting.** DataMan 7500 series verifiers incorporate 30 degree dark field lighting and are ideal for verifying nameplates and other flat parts
- **Two Model Options.** Coded and cordless models provide maximum flexibility (especially useful for larger parts)
- **Mechanical Standoff.** Ensures uniform illumination and a fixed working distance
- **Reliable.** Compliant results to the AIM DPM Quality Guideline 2006-1 with 30 degree angle lighting

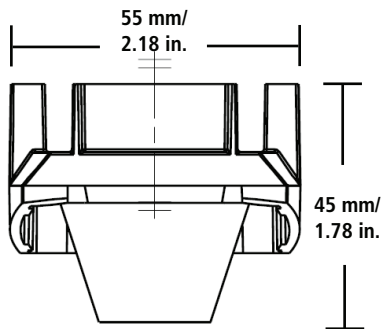
DataMan Fixed-Mount Verifiers

The DataMan 100 Verification System provides manufacturers with a solution to verify the widest range of parts using a verifier that conforms to the ISO15426-2 verification system standards.

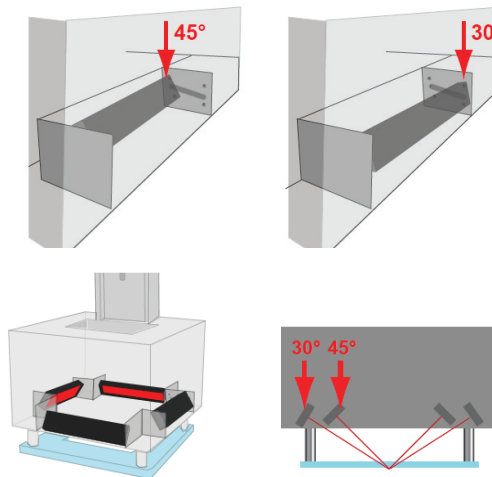
- **Flexible Mounting.** Can be mounted to a fixed location or used together with the optional 10 inch X-Z adjustable stand
- **Flexible Lighting.** Includes adjustable 30/45 degree low angle lighting and 90 degree DOAL lighting for the widest range of parts and mark types
- **Flexible Optics.** Adjustable optics enable the verification of codes with cell sizes as small as 7.5 mils to overall code sizes of 1 in. or 25 mm
- **ISO15426-2 Compliance.** The DataMan 100 Verification System has been tested to comply with the results of 'Judge' certified cards from GS1. Judge cards are tested on the 10x capable industry benchmark verifier
- **Capable.** Provides compliant results for the AIM DPM Quality Guideline 2006-1, ISO15415 and AS9132
- **Easy Set Up.** System includes a control box with integrated I/O, power and lighting quick connect cable

DataMan Verifiers

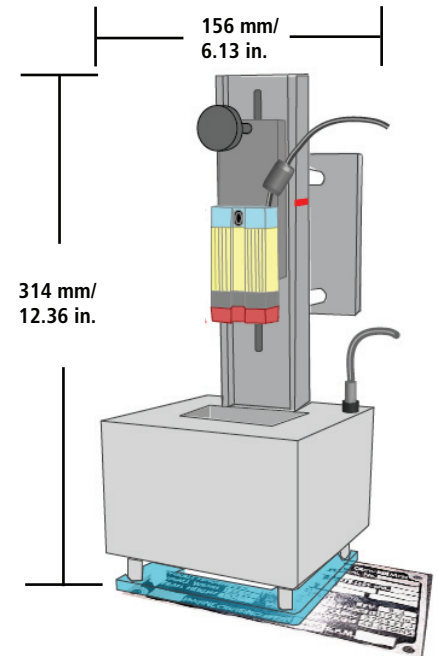
Specifications	DataMan 7500 Series	DataMan 100 Series
Standards Compliance	AIM DPM 2006-1	AIM DPM 2006-1, ISO15415, ISO15426-2 and AS9132
Data Validation	US DoD UID Guidelines, ISO15434, ISO15418	US DoD UID Guidelines, GS1, ISO15434, ISO15418
Lighting	30 Degree	30, 45 and 90 Degree
Code Size- Maximum Code Cell Size - Minimum	0.5 in. or 12.5 mm 7.5 MILS	1 in. or 25.4 mm 7.5 MILS
Electrical	DataMan 7500V 5VDC, Power Supply Included DataMan 7550V Battery Powered 9VDC Base Station Included	24VDC Power Supply Included
Code Verified	2D Data Matrix	2D Data Matrix
Report Generation Capability	PDF	PDF
Software Interface	DataMan Setup Tool Included	DataMan Setup Tool Included
Industry Specifications	MIL STD 130 and AIAG B-17	MIL STD 130 and AIAG B-17



The DPM Standoff for the 7500 Series



The DataMan 100 Verifier supports 30° and 45° (shown) and 90° (not shown) lighting angles



The DataMan 100 Series, shown without optional stand

Americas
 United States, East +1 508.650.3000
 United States, West +1 650.969.8412
 United States, South +1 615.844.6158
 United States, Detroit +1 248.668.5100
 United States, Chicago +1 630.649.6300
 Canada +1 905.634.2726
 Mexico +52 81 5030-7258
 Central America +52 81 5030-7258
 South America +1 972.365.3463
 Brazil +55 11 948-6400

Europe
 Austria +43 1 23060 3430
 Belgium +32 2 8080 692
 France +33 1 4777 1550
 Germany +49 721 6639 0
 Hungary +36 1 501 0650
 Ireland +353 1 825 4420
 Italy +39 02 6747 1200
 Netherlands +31 208 080 377
 Spain +34 93 445 67 78
 Sweden +46 21 14 55 88
 Switzerland +41 71 313 06 05
 United Kingdom +44 1908 206 000

Asia
 China +86 21 6320 3821
 India +91 80 4022 4118
 Japan +81 3 5977 5400
 Korea +82 2 539 9047
 Singapore +65 632 55 700
 Taiwan +886 3 578 0060

© Copyright 2010, Cognex Corporation.
 All information in this document is subject to change without notice.
 All rights reserved.
 DataMan® and Cognex® are registered trademarks of Cognex Corporation.
 All other trademarks are property of their respective owners.
 Lit Number: DMDS2004-0610.

COGNEX
www.cognex.com

Corporate Headquarters
 One Vision Drive Natick, MA USA
 Tel: +1 508.650.3000 Fax: +1 508.650.3344

