

## Vision Systems



Top-side System



Multi-side System



1D & 2D codes



Sorting Application



Unattended Scanning Systems

## General Description

The DV9500 Camera system represents Datalogic's solution for high performance linear and 2D code reading through Vision Technology.

The DV9500 Camera system is available in 5 models, designed to satisfy the most common reading requirements. All the cameras are equipped with the fastest 6K pixel CCD sensors and a very quick and reliable autofocus system that provides the best performance in the market in terms of accuracy and repeatability. The autofocus system covers a very large DOF and detects object shape to provide accurate top/side reading. The fast reaction speed permits reading with a minimum gap between parcels. High quality optics and advanced electronics allow Datalogic's DV9500 camera to capture high quality gray scale images of parcels transported on fast conveyors.

The compactness and light weight of the camera, as well as the availability of fast brackets, make installation flexible and replacement easier without having to adjust positioning. The Genius™ standard Datalogic configuration SW and its wizard style add-on makes system configuration very easy, even for first time users.

The high quality images are processed by the powerful DD9500 Decoding system, able to decode omni-directional degraded symbol images even on cluttered backgrounds in a very short time. The high quality images acquired by DV9500 perfectly suit the most advanced OCR processor and Video-coding systems.

The DV9500 camera can be installed in multi-side configurations with up to 6 sides (TOP, BOTTOM, SIDE) or integrated into laser systems to fulfill the most challenging applications with the best price/performance ratio. The LED illuminators, especially designed for High and Low DOF requirements, complete the system making it more flexible and versatile.

## Features

- > Multi-side solution
- > Linear CCD technology
- > Advanced patented autofocus system
- > High reading performance even on very fast conveyors
- > Outstanding decoding performance on very low quality labels
- > Image saving capability
- > Small dimensions and lightweight
- > Flexible installation and easy replacement
- > Diagnostics and remote control
- > Genius™ configuration SW
- > Synergy with laser systems

## Applications

- > Parcel bar code and 2D code reading
- > Multi-side reading
- > Suitable for OCR and Video-coding
- > Postal and logistics applications
- > Distribution

## Specifications

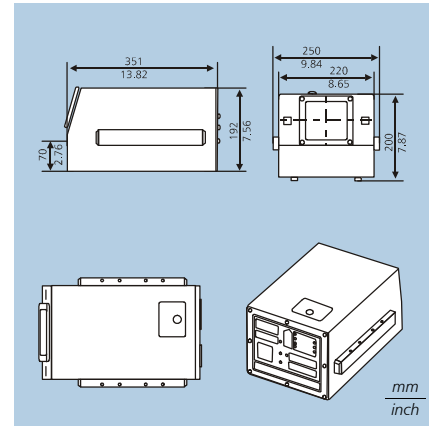
### CAMERA SYSTEM

POWER SUPPLY	24 VDC
POWER CONSUMPTION	30 W
IMAGE RESOLUTION	110 - 260 DPI (application dependant)
CONVEYOR COVERAGE	Up to 1000 mm (39 in.)
DEPTH OF FIELD	Up to 1000 mm (39 in)
CONVEYOR SPEED	Up to 3.0 m/s
SUPPORTED LENSES	High quality commercial lenses (50 mm, 85 mm, 105 mm, 192 mm)
IMAGE STANDARD	8 bit gray level image
VIDEO INTERFACE	Parallel 16 bit LVDS bus (32 bit LVDS available on request) Camera Link
COMMUNICATION	COM1, COM2: RS232 up to 115.2 Kbit/s COM3: RS485 full duplex
DIGITAL INPUTS	2, optoisolated
DIMENSIONS	See drawings
WEIGHT (APPROX)	13 Kg (28.7 lb)
OPERATING TEMP.	0° to 40° C (32° to 104° F)
STORAGE TEMP.	-20 to 70° C (-4° to 158° F)
HUMIDITY	Up to 95% non condensing
PROTECTION CLASS	IP64 (optical section)

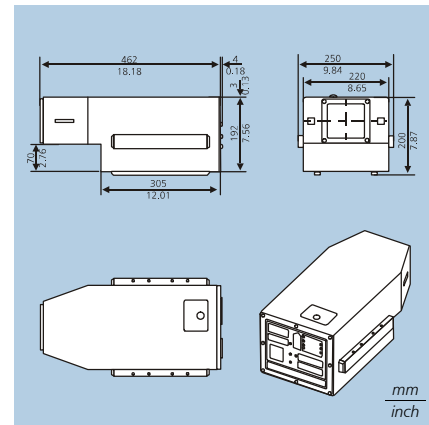
### DECODING SYSTEM

CPU	Pentium IV 2.8 GHz (or later) processor, 400 MHz FSB
RAM	512 Mbytes
LABEL ORIENTATION	Full omni-directional 360 degrees
READABLE BARCODES	Code 128, Code 39, Interleaved 2/5, EAN/UPC and all popular barcodes
READABLE 2D CODES	PDF417, Datamatrix and all popular 2D codes, postal codes
OUTPUT INFORMATION	Decoded label
COMMUNICATION	Serial RS232, Serial RS422/RS485
DIMENSIONS	Mini tower case or 2U height 19" Rack mounting chassis
OPTIONS	I/O board, RS422/485 board, RS232 board, Monitor, Keyboard, Mouse, 19" Rack Cabinet

## Dimensions



Standard Camera System



192 mm - Camera System

## Lighting System



LS701



LS660



LS690



LS504

LIGHT SOURCE	LS701	LS660	LS690	LS504
	LED lighting system	LED lighting system	LED lighting system	High Pressure Sodium Lamps
POWER SUPPLY	24 VDC ±10%	24 VDC ±10%	24 VDC ±10%	90-270 VAC
POWER CONSUMPTION	45W	30W	30W	450 W
DIMENSIONS (L x W x H)	500 x 198 x 160 mm 19.7 x 7.8 x 6.3 in	687 x 96 x 50 mm 27.0 x 3.8 x 1.9 in	977 x 96 x 50 mm 38.5 x 3.8 x 1.9 in	405 x 406 x 200 mm 15.9 x 15.9 x 7.8 in