

- Fully integrated designs. Lighting, camera, positioning and software all in one package.
- Compliant results. Meet industry 2-D code quality standards.
- Ease-of-use. Two model options—handheld or fixed-mount—delivers maximum flexibility.



Reliable, Compliant Results

Cognex® DataMan® 2-D (Data Matrix) Verifiers provide the reliable and compliant results that manufacturers need to comply with the latest 2-D code quality standards, which are mandated by most industries today.

DataMan Verifiers include two different platforms for the ultimate in flexibility—handheld and fixed-mount.

DataMan Handheld Verifiers

As the only compliant handheld verifier available on the market, the DataMan 8600V series verifiers offer superior ease-of-use and are highly cost effective. Using a handheld verifier, manufacturers can perform verification on the factory floor, rather than at a remote or fixed verification station. The combination of compliance and portability provides users with advantages that set the DataMan 8600V series verifiers apart from all others.

- **Integrated Lighting.** DataMan 8600V series verifiers incorporate 30 degree dark field lighting and are ideal for verifying nameplates and other flat parts.
- **Mechanical Standoff.** Ensures uniform illumination and a fixed working distance.
- **Reliable.** The only handheld verifier that conforms to AIM DPM standards and produces compliant results to the AIM DPM Quality Guideline 2006-1 with 30 degree angle lighting.

DataMan Fixed-Mount Verifiers

The DataMan 100 Verification System provides manufacturers with a solution to verify the widest range of parts using a verifier that conforms to the ISO15426-2 verification system standards.

- **Flexible Mounting.** Can be mounted to a fixed location or used together with the optional 10 inch X-Z adjustable stand.
- **Flexible Lighting.** Includes adjustable 30/45 degree low angle lighting and 90 degree DOAL lighting for the widest range of parts and mark types.
- **Flexible Optics.** Adjustable optics enable the verification of codes with cell sizes as small as 7.5 mils to overall code sizes of 1 in. or 25 mm.
- **ISO15426-2 Compliance.** The DataMan 100 Verification System has been tested to comply with the results of 'Judge' certified cards from GS1. Judge cards are tested on the 10x capable industry benchmark verifier.
- **Capable.** Provides compliant results for the AIM DPM Quality Guideline 2006-1, ISO15415 and AS9132.
- **Easy Set Up.** System includes a control box with integrated I/O, power and lighting quick connect cable.

DataMan Verifiers

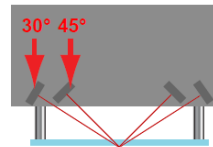
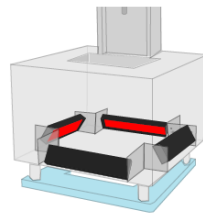
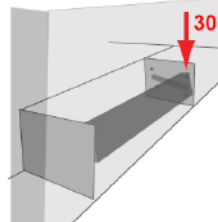
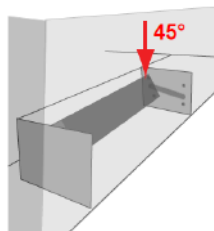
INDUSTRIAL ID | VERIFIERS | 2-D CODE VERIFICATION

Specifications

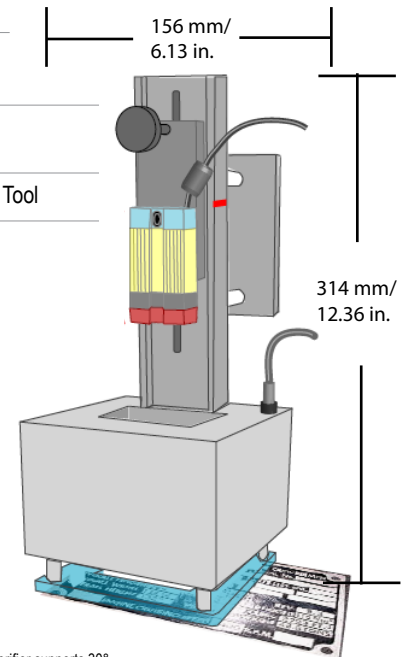
DataMan 8600V Series

DataMan 100 Series

Standards Compliance	AIM DPM 2006-1 Snap on Stand-Off accessory to ensure proper WD and 30° lighting angle relative to the code. Calibration card included.	AIM DPM 2006-1, ISO15415, ISO15426-2 and AS9132
Data Validation	US DoD UID Guidelines. GS1, ISO15434, ISO15418	US DoD UID Guidelines, GS1, ISO15434, ISO15418
Lighting	30 Degree and Ultralight	30, 45 and 90 Degree
Code Size - Maximum	0.5 in. or 12.5 mm	1 in. or 25.4 mm
Code Cell Size - Minimum	7.5 mils	7.5 mils
Electrical	DataMan 8600V with Serial USB: 5V - 6V DC, 5.0 W maximum LPS or NEC Class 2 power supply DataMan 8600V with Ethernet: PoE Class 2 power supply	110V/240V AC plug
Code Verified	2-D Data Matrix	2-D Data Matrix
Report Generation Capability	PDF	PDF
Imager	1280 X 1024	752 x 480
Communications	USB, RS-232 or Ethernet	USB
Software Interface	DataMan Setup Tool	DataMan Setup Tool



The DataMan 100 Verifier supports 30° and 45° (shown) and 90° (not shown) lighting angles



The DataMan 100 Series, shown without optional stand.

COGNEX

Companies around the world rely on Cognex vision and ID to optimize quality, drive down costs and control traceability.

Corporate Headquarters One Vision Drive Natick, MA 01760 USA Tel: +1 508 650 3000 Fax: +1 508 650 3344

Americas

United States, East +1 508 650 3000
United States, West +1 650 969 8412
United States, South +1 615 844 6158
United States, Detroit +1 248 668 5100
United States, Chicago +1 630 649 6300
Canada +1 905 634 2726
Mexico +52 81 5030 7258
Central America +52 81 5030 7258
South America +1 909 247 0445
Brazil +55 47 8804 0140

Europe

Austria +43 1 23060 3430
Belgium +32 2 8080 692
France +33 1 4777 1550
Germany +49 721 6639 0
Hungary +36 1 501 0650
Ireland +353 1 825 4420
Italy +39 02 6747 1200
Netherlands +31 208 080 377
Poland +48 71 776 0752
Spain +34 93 445 67 78
Sweden +46 21 14 55 88

Switzerland +41 71 313 06 05
Turkey +90 212 306 3120
United Kingdom +44 1327 856 040
Asia
China +86 21 5050 9922
India +9120 4014 7840
Japan +81 3 5977 5400
Korea +82 2 539 9047
Singapore +65 632 55 700
Taiwan +886 3 578 0060

www.cognex.com

© Copyright 2014, Cognex Corporation. All information in this document is subject to change without notice. All Rights Reserved. DataMan and Cognex are registered trademarks of Cognex Corporation. All other trademarks are property of their respective owners. Lit. No. DM8600100V-DS-201411-EN.